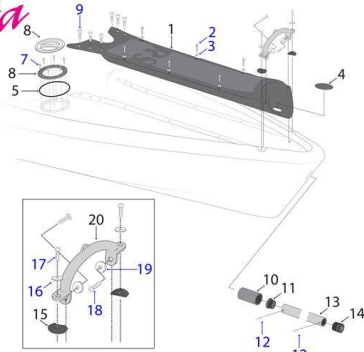
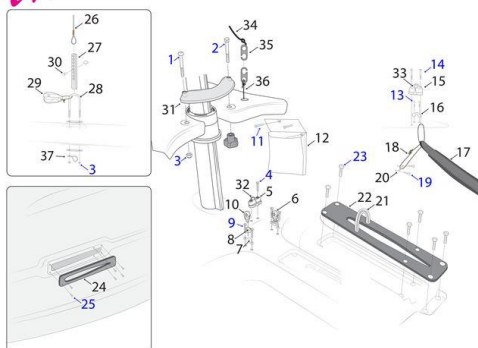


MK1 RS Feva (Pre 8580 Sail Number):**Bow Area****RS
Feva**

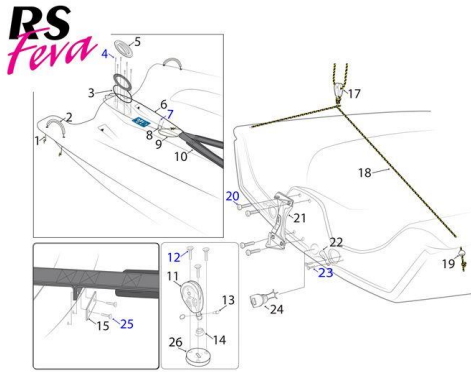
1. RS Feva Foredeck - **FEV-HF-100**
2. RS Pan Head Machine Screw 12 x 1 ½ mm - **FIX-S12-P01**
3. RS Washer M6 - **FIX-W6-001**
4. RS Foredeck Dacron Patch - **ZDP1001**
5. RS Allen Inspection Port Ring - **A338**
7. RS Pan Head Machine Screw 6 x ¾ mm - **FIX-S6-P01**
8. RS 4 Inch Allen Hatch - **A337BLACK**
9. RS Socket Cap Head Machine Screw M8 x 40mm - **FIX-B8-S40**
10. RS Feva Spin Pole Bow Tube - **FEV-SP-908**
11. RS Feva Bowsprit End Cap, Inboard - **R0687**
12. RS Monel Rivet 4.8 x 12mm - **FIX-R48-M12**
13. **RS Feva Bow Sprit, Rigged - FEV-SP-500**
14. **RS Bowsprit End Cap, Outboard - RSM-SP-902**
15. RS Feva Tack Bar Saddles (Pair) - **FEV-HF-102**
16. RS Washer M8 - **FIX-W8-002**
- 17 & 18. RS Button Head Machine Screw M8 x 25mm - **FIX-B8-C25**
19. RS Washer M5, Rubber - **FIX-W5-005**
20. **RS Feva Tack Bar - FEV-HF-101**

Mast Step & Crew Area**RS
Feva**

1. RS Button Head Machine Screw M6 x 50mm - **FIX-B6-B50**
2. **RS Mast Gate Knob - FEV-HF-202**
- 2b. Mast Gate Pin - **FEV-HF-201**
3. RS Nut M6 Nyloc - **FIX-N6-006**
4. RS Button Head Machine Screw M4 x 25mm - **FIX-B4-B25**
5. **RS Cam Cleat, Small - A677**
- 6 & 10. Allen 20mm Dynamic Single Block with Lacing Eye - **A2020LZ**
- 7 & 20. Allen Pressed Lacing Eye 27mm- **A4388**
8. Allen Tapered Spring Small - **A4034**
- 9 & 19. RS Pan Head Machine Screw M5 x 8mm - **FIX-B5-P08**
11. RS Pan Head Machine Screw 8 x ¾ mm - **FIX-S8-P02**
12. **RS Feva Halyard Bag - FEV-HF-203**
13. RS Button Head Machine Screw M5 x 20mm - **FIX-B5-B20**
14. RS Button Head Machine Screw: M5 x 35mm - **FIX-B5-B35**
15. RS Feva Jib Sheet Cleats - **A.676**
16. **RS Jib Fairlead - A4152**
17. **RS Feva Hiking Strap Set - FEV-HF-401**
18. RS Feva Hiking Strap Tie - **FEV-WEB-044**
21. **RS Lift Handle Tube (ea) - FEV-HF-500**
22. **RS Feva Daggerboard Surround, Upper - FEV-HF-302**
- 23 & 25. Flat Head Machine Screw M5 x 12mm - **FIX-B5-C12**
24. **RS Feva Daggerboard Surround, Lower - FEV-HF-301**
26. **RS Feva Shroud Set - FEV-SP-909**
27. **RS Feva Shroud Adjuster, U Shape - A4372**
28. RS Feva Shroud U-Bolt - **FEV-HF-304**
29. Allen 30mm Plain Bearing Block - **A2030P**
30. STF Marine 5x10mm Clevis Pin & Rings (2 pack) - **ST-O0510**
31. **RS Feva Mast Gate - FEV-HF-200**
32. Allen Cleat S/S Front Fairlead, Small for A77 - **A4665**
33. RS Feva Allen Cam Cleat Fairlead - **A.588**
34. RS Feva Main Halyard - **FEV-WEB-004** (upgrade: **FEV-WEB-012**)
35. **Plastic Brummel Hook (Individual) - A.75**
36. RS Feva Main Halyard Bungee - **FEV-WEB-013**
37. **Allen P Clip Looped S/S Lacing Eye - A4035**

Click the colored text to be linked to the product page!

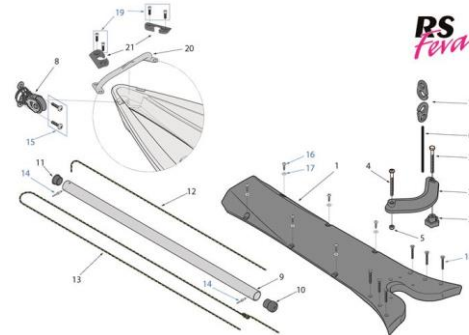
MK1 RS Feva (cont.) Helm & Transom Area



1. RS Feva Transom Carry Handle Rope (2ft) - **FEV-WEB-023**
2. **RS Lift Handle Tube (ea) - FEV-HF-500**
3. **RS Allen Inspection Port Ring - A338**
4. RS Pan Head Machine Screw 6 x ¾ mm - **FIX-S6-P01**
5. **RS 4 Inch Allen Hatch - A337BLACK**
6. RS Feva Toestrap Elastic (Rear)
- 7 & 23. RS Pan Head Machine Screw M5 x 8mm - **FIX-B5-P08**
8. **Allen Pressed Lacing Eye 27mm - A4388**
9. RS Feva Toestrap Tie - **FEV-WEB-044**
10. **RS Feva Hiking Strap Set - FEV-HF-401**
11. Allen 60mm Pro Ratchet Block - **A2160**
12. RS Flat Head Machine Screw M5 x 20mm - **FIX-B5-C20**
13. STF Marine 5x15mm Clevis Pin & Ring (2 Pack) - **ST-O0515**
14. Allen Tapered Spring Small - **A4034**
15. Allen Hiking/Toe Strap Plate (Black) - **A..99BLK-RS**
17. **RS Allen 30mm Dynamic Block - Single w/ Lacing Eye and Spring - A2030**
18. RS Feva Mainsheet Strap w/ Block - **FEV-UA-211**
19. RWO 4mm Stopper Ball, Black - **R1901T**
20. RS Pan Head Machine Screw M6 x 16mm - **FIX-B6-P16**
21. **RS Transom Plate - RSM-HF-503**
22. **Allen Nylon Lacing Hook - A.148**
24. Drain Plug - **RSM-HF-501**
25. RS Flat Head Machine Screw M5 x 12mm - **FIX-B5-C12**
26. RS Mainsheet Block Base Plate - **RSM-HF-401**

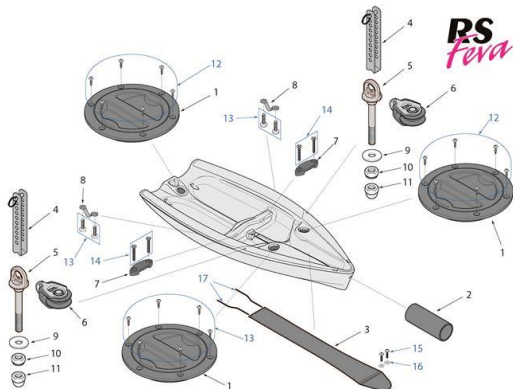
Mk2 RS Feva - Post Sail Number 8581+ (2022 Onward):

Bow & Foredeck Area

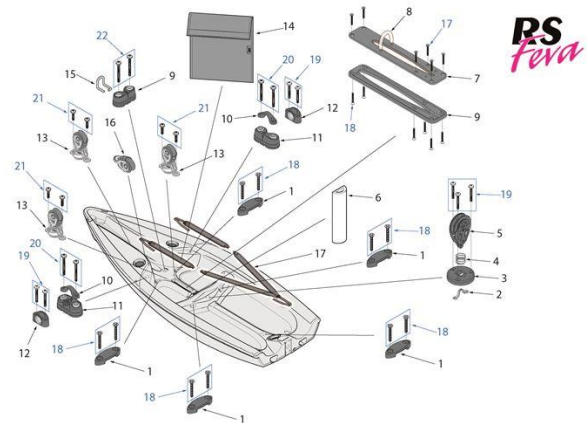


1. RS Feva Mk2 Foredeck - **FEV-HF-106**
2. **RS Mast Gate - FEV-HF-200**
3. **RS Mast Gate Bolt - FEV-HF-202**
4. RS Button Head Machine Screw M6 x 50mm - **FIX-B6-B50**
5. RS Nut M6 Nyloc - **FIX-N6-006**
6. RS Feva Main Halyard Bungee - **FEV-WEB-013**
7. **Plastic Brummel Hook (Individual) - A.75**
8. Allen 20mm Dynamic Single Block with Lacing Eye - **A2020LZ**
9. **RS Feva Bow Sprit (Rigged) - FEV-SP-500**
10. **RS Bowsprit End Cap, Outboard - RSM-SP-902**
11. RS Feva Bowsprit End Cap, Inboard - **R0687**
12. RS Feva Spinnaker Pole Launch Line - **FEV-WEB-042**
13. RS Feva Spinnaker Pole Tack Line - **FEV-WEB-041**
14. RS Monel Rivet 4.8 x 12mm - **FIX-R48-M12**
15. RS Pan Head Machine Screw M5 x 8mm - **FIX-B5-P08**
16. RS Pan Head Machine Screw: 12 x 1 ½ mm - **FIX-S12-P01**
17. RS Washer M6 - **FIX-W6-001**
18. RS Socket Head Machine Screw M8 x 40mm - **FIX-B8-P40**
19. RS Button Head Machine Screw M8 x 25mm - **FIX-B8-C25**
20. RS Feva Mk2 Tack Bar - **FEV-HF-107**
21. RS Feva Mk2 Tack Bar Hull Inserts - **FEV-HF-108**

Click the colored text to be linked to the product page!

Mk2 RS Feva (cont.)**Hull Parts**

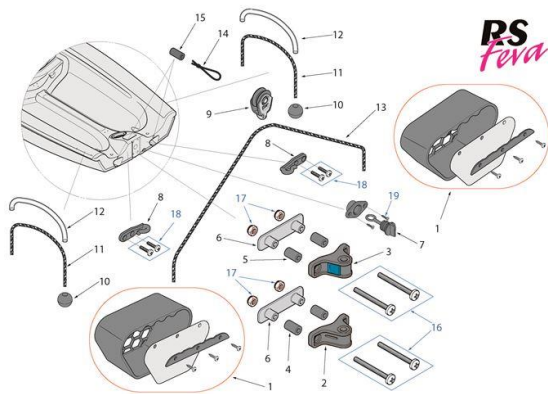
1. Allen 100mm Integral Seal Hatch Black - **A1737**
2. RS Feva Spin Pole Bow Tube - **FEV-SP-908**
3. RS Feva Mk2 Spinnaker Tray - **FEV-HF-105**
4. Selden Shroud Adjuster 1 Row 5mm - **174-221-01**
5. RS Feva Mk2 Shroud Eye Bolts - **FEV-HF-403**
6. Allen 30mm Plain Bearing Block - **A2030P**
7. RS Hiking Strap Plate - **RSM-HF-301**
8. **Allen Pressed Lacing Eye 27mm- A4388**
9. RS Washer M8 - **FIX-W8-002**
10. **RS Nut M8 Nyloc - FIX-N8-008**
11. Dome Nut M8 - **FIX-N8-001**
12. RS Pan Head Machine Screw 6 x ¾ mm - **FIX-S6-P01**
13. RS Pan Head Machine Screw M5 x 8mm - **FIX-B5-P08**
14. Flat Head Machine Screw M5 x 12mm - **FIX-B5-C12**
15. Pozzi Pan Machine Screw M4 x 10 - **FIX-B4-P10**
16. Washer M4 'A' - **FIX-W4-001**
17. Hiking Strap Bungee, 4mm black - **KS304BLK**

Crew & Helm Area

1. RS Hiking Strap Plate - **RSM-HF-301**
2. **Allen Pressed Lacing Eye 27mm- A4388**
3. RS Mainsheet Block Base Plate - **RSM-HF-401**
4. Allen Soft Stainless-Steel Spring - **A4033**
5. Allen 60mm Pro Ratchet Block - **A2160**
6. RS Daggerboard Case Rubber - **FEV-HF-300**
7. **RS Feva Daggerboard Surround, Upper - FEV-HF-302**
8. **RS Lift Handle Tube (ea) - FEV-HF-500**
9. **RS Feva Daggerboard Surround, Lower - FEV-HF-301**
10. RS Feva Allen Cam Cleat Fairlead - **A.588**
11. RS Feva Jib Sheet Cleats - **A.676**
12. **RS Jib Fairlead - A4152**
13. Allen 20mm Dynamic Single Block with Lacing Eye - **A2020LZ**
14. **RS Feva Halyard Bag - FEV-HF-203**
15. **Allen Cleat S/S Front Fairlead (Small for A77) - A4665**
16. **Allen Block, 20mm Micro - A2020**
17. RS Feva Mk2 Hiking/Toe Strap Set - **FEV-HF-402**
18. Flat Head Machine Screw M5 x 12mm - **FIX-B5-C12**
19. RS Button Head Machine Screw M5 x 20mm - **FIX-B5-B20**
20. RS Button Head Machine Screw: M5 x 35mm - **FIX-B5-B35**
21. RS Pan Head Machine Screw M5 x 8mm - **FIX-B5-P08**
22. RS Button Head Machine Screw M4 x 25mm - **FIX-B4-B25**

Click the colored text to be linked to the product page!

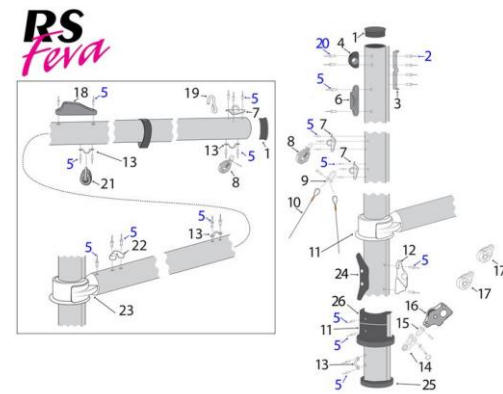
Transom Area



1. RS Zest Scupper Assembly - **ZES-HF-500**
2. **RS Gudgeon, Non-Locking - RSM-HF-506**
3. **RS Gudgeon with Lock - C16-HF-502**
4. RS Feva Spacer Tube L33 - **480-747**
5. RS Transom Spacer Tube (38mm) - **480-385**
6. RS Gudgeon Backing Plate (Mk2) - **C16-HF-504**
7. Allen Pro Drain Plug and Housing - **A423**
8. **Allen Nylon Lacing Hook - A.148**
9. **RS Allen 30mm Dynamic Block, Single - A2030**
10. RWO 4mm Stopper Ball, Black - **R1901T**
11. RS Feva Transom Carry Handle Rope - **FEV-WEB-023**
12. **RS Lift Handle Tube (ea) - FEV-HF-500**
13. RS Feva Mainsheet Bridle, Simple - **FEV-WEB-024**
- 13b. RS Feva Mainsheet Strap w/ Block - **FEV-UA-211**
14. 4mm Dyneema - **RIG12+04BLK**
15. RS Zest Transom Spacer Tube (16.5mm) - **480-566**
16. RS Pan Head Machine Screw M6 x 55mm - **FIX-B6-P55**
17. RS Nut M6 Nyloc - **FIX-N6-006**
18. RS Pan Head Machine Screw M5 x 8mm - **FIX-B5-P08**
19. RS Flat Head Machine Screw 6 x ¾ mm - **FIX-S6-C01**

All Model Years:

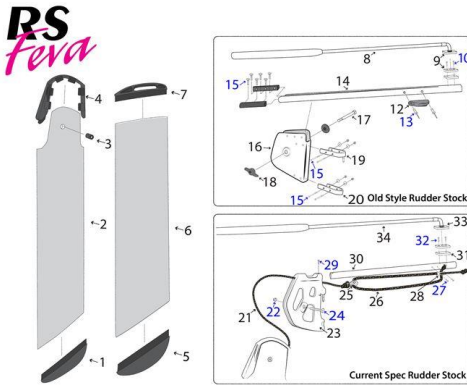
Mast & Boom



1. **RS Feva Mast Cap / Boom End Plug - FEV-SP-903**
2. STF Marine 3.2x6.85mm Monel Rivets - **ST-Z3207**
3. Allen Burgee Clip - **A4066**
4. **Allen Bullseye 13mm S/S Lined - A4152**
5. RS Rivet Monel 4.8 x 12mm - **FIX-R48-M12**
6. Clamcleat Racing Fine Line Cleat Starboard - **CL258**
7. RS Forestay Mast Hounds - **P50847701**
8. RS Selden 30mm Block w/ Swivel - **P403101SWI**
9. RS Feva Bow Shackle, Allen - **A-622105**
10. **RS Feva Shroud Set - FEV-SP-909**
11. RS Feva Gooseneck Mast Collar - **FEV-SP-900**
12. **Clamcleat Side Entry Cleat (Starboard) MK1 - CL217MK1**
13. RS Feva Mast Eyestraps, RWO - **R2830**
14. **RS Feva Vang Attachment Shackle w/QuickPin - FEV-SP-910**
15. Allen Forged Shackle 4mm Pin 9x15mm - **A5404S**
- 15b. RS Feva Vang Carabiner - **F763L0**
16. RS Feva Vang Upgrade, 6:1 - **FEV-UA-209**
17. **Allen Block, 20mm Micro - A2020**
18. **Clamcleat Junior Mk1 - CL211MK1**
19. **Allen S/S Twisted Welded Hook - A4069**
20. RS Hardware Rivet: Monel 4.8 x 18mm - **FIX-R48-M18**
21. RS Selden 30mm Block, Single - **P403101SIN**
22. **Allen Fairlead Open Base 9mm - A282**
23. **RS Feva Gooseneck Plug - FEV-SP-911**
24. RS Feva Horn Cleat - **P51103001**
25. RS Feva Mast Heel Plug - **FEV-SP-904**
26. RS Feva Mast Collar - **FEV-SP-913**

Click the colored text to be linked to the product page!

Rudder Stock & Foils



RS Feva MK1 Rudder Stock, Tiller, and Extension:
Current Selden Spec - **FEV-WEB-007**

RS Feva MK2 Rudder Stock Head, Tiller & Extension -
FEV-WEB-045

1. **RS Rudder Blade Bottom Plug - RSM-FO-909**
2. **RS Aluminum Rudder Blade, Selden Stock - RSM-FO-101**
- 2b. **RS Aluminum Rudder Blade, Seasure Stock - RSM-FO-100**
3. **RS Rudder Pivot Bushing, Narrow - RSM-FO-905**
- 3b. **RS Rudder Pivot Bushing, Wide - RSM-FO-907**
4. **RS Rudder Head, Narrow - RSM-FO-901**
- 4b. **RS Rudder Head, Wide - RSM-FO-906**
5. **RS Daggerboard Bottom Plug - RSM-FO-910**
6. **RS Feva Daggerboard - RSM-FO-200**
7. **RS Daggerboard Handle - FEV-FO-902**
8. **RS Feva Tiller Extension - RSM-FO-501**
9. **RS Tiller Universal, Seasure - S2367A**
10. **RS Flat Head Machine Screw 8 x 3/4 mm - FIX-S8-C03**
12. **Clamcleat Junior Mk1 - CL211MK1**
13. **RS Rivet: Monel 4.8 x 12mm - FIX-R48-M12**
14. **RS Feva Tiller Arms, Old Style (Pair) - RSM-FO-903**
15. **RS Pintle/Gudgeon Nut Bolt & Washer - RSM-FO-904**
16. **RS Rudder Head & Tiller with Extension, Complete - RSM-FO-300**
17. **RS Rudder Head Pivot Bolt and Nut - S9824**
18. **RS Rudder Pivot Wing Nut - S1828P**
19. **RS Pintle, APB Seasure - S9597**
20. **RS Gudgeon, APB Seasure - S9598**
21. **RS Feva/Quba Rudder Downhaul Line**
22. **RS Nut M8 Nyloc - FIX-N8-008**
23. **RS Feva Rudder Head MK1, Composite - RSM-FO-304**
- 23b. **RS Feva Rudder Head, MK2 - FEV-FO-301**
24. **RS Pan Head Machine Screw M8 x 40mm - FIX-B8-P41**

25. **RS Selden 20mm Single Block - P402101SIN**
26. **RS Feva Rudder Downhaul**
27. **RS Rivet: Monel 4.8 x 12mm - FIX-R48-M12**
28. **Micro Racing Cleat with Becket - CL270**
29. **RS Pan Head Machine Screw: 6 x 3/4 mm - FIX-S6-P01**
30. **RS Feva Tiller w/ Extension, Selden - RSM-FO-400**
31. **RS Flat Head Machine Screw 8 x 3/4 mm - FIX-S8-C03**
32. **RS Feva Tiller Saddle - R0713**
33. **RS Tiller Universal, Selden - CA0015**
34. **RS Tiller Extension, Selden - RSM-FO-500**

Race Upgrades

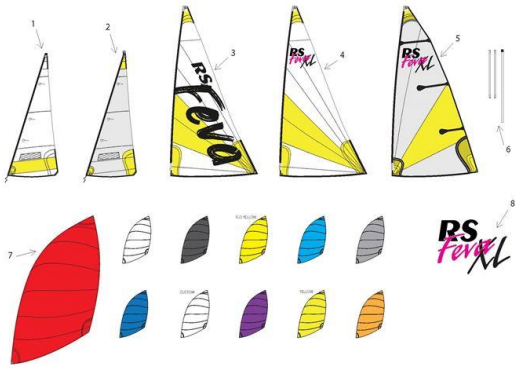


RS Feva Race Upgrade Pack - **FEV-UA-500**

1. **RS Feva Vang Upgrade, 6:1 - FEV-UA-209**
- 1b. **RS Feva Vang, Race (Harken) - FEV-UA-201**
2. **RS Feva Jib Halyard Purchase Sheave, Race - FEV-SP-905**
3. **RS Feva Clew Strap - FEV-SP-901**
4. **RS Feva Cunningham, Race (Allen) - FEV-UA-204**
- 4b. **RS Feva Cunningham, Race (Harken) - FEV-UA-203**
5. **RS Feva Mainsheet Strap w/ Block - FEV-UA-211**
6. **RS Feva Outhaul, Race (Allen) - FEV-UA-210**
- 6b. **RS Feva Outhaul, Race (Harken) - FEV-UA-202**

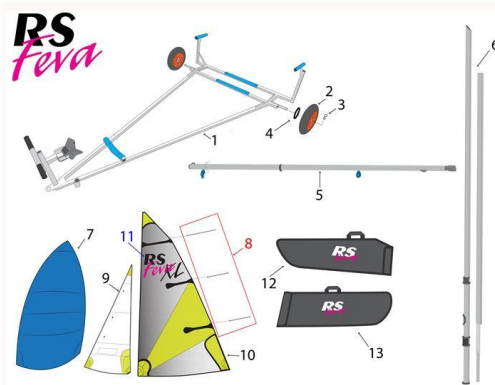
Click the colored text to be linked to the product page!

Sails



1. RS Feva Jib Sail, Club - **FEV-SA-201**
2. RS Feva Jib Sail, Race - **FEV-SA-200**
3. RS Feva S Mainsail, Dacron - **FEV-SA-101**
4. RS Feva Mainsail XL, Dacron - **FEV-SA-102**
5. RS Feva Mainsail XL, Mylar - **FEV-SA-100**
6. RS Feva Main Batten Set, XL - **FEV-SA-901**
- 7a. RS Feva Spinnaker Yellow - **FEV-SA-303**
- 7b. RS Feva Spinnaker Light Blue - **FEV-SA-304**
- 7c. RS Feva Spinnaker Pink - **FEV-SA-307**
8. RS Feva XL Sail Decal - **FEV-SA-900**

Covers and Spars



5. RS Feva Boom, Complete - **FEV-SP-400**
6. RS Feva Mast, Complete - **FEV-SP-100**
8. RS Feva Main Batten Set, XL - **FEV-SA-901**
12. RS Rudder Bag, Short - **RSM-CO-602**
13. RS Padded Daggerboard Bag - **RSM-CO-600**
14. RS Feva Deck Cover - **FEV-CO-100**
15. RS Feva Hull Cover, Nylon - **FEV-CO-200**
16. RS Feva Padded Spar Bag - **FEV-CO-300**
18. RS Mast Floatation Bag - **RSM-SP-900**

Click the colored text to be linked to the product page!