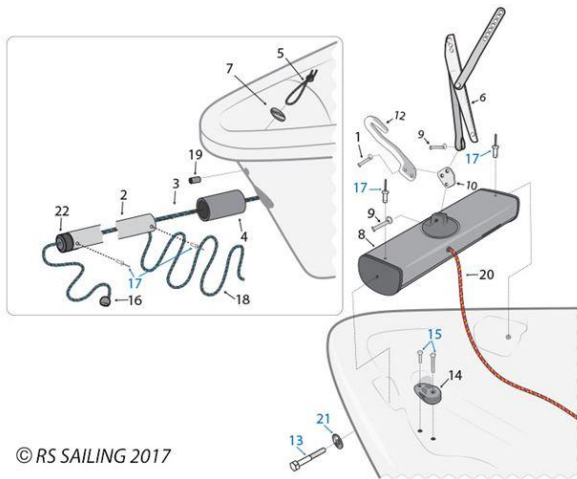
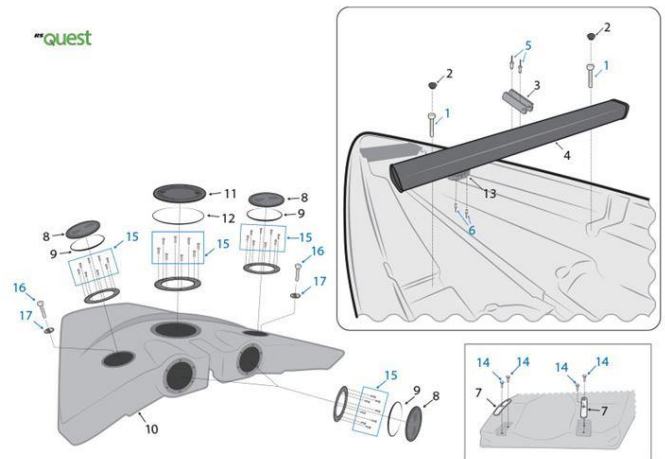


Asymmetric Spinnaker Pole & Tack Bar



1. STF Marine 6x20mm Clevis Pin - **ST-O0620**
2. [RS Quest Spinnaker Pole, Asymmetrical - QUE-SP-500](#)
- 3, 5, & 18. Gottifredi Maffioli Evolution Race 5mm - **KKD05BLK**
4. RS Quest Spin Pole Bow Tube - **QUE-HF-106**
6. [RS Quest Shroud Lever, RWO - R4550](#)
7. RS Washer M10 - **FIX-W10-001**
8. RS Quest Tack Bar, Complete - **QUE-HF-107**
9. Stainless Clevis Pin 6 X 26mm, Selden - **165-005**
10. [RS Quest Furler Tack Plate - QUE-HF-104](#)
12. [RS Quest Jib Tack Hook, Cast - QUE-SP-909](#)
13. RS Socket Head Machine Screw M10 x 60mm - **FIX-B10-P60**
14. [RS Cheek Block 30mm, Selden - 403-101-09](#)
15. RS Button Head Machine Screw M4 x 25mm - **FIX-B4-B25**
16. 6mm Stopper Ball, RWO - **R1991T**
17. RS Monel Rivet 4.8 x 12 mm - **FIX-R48-M12**
19. RS Quest Bow Line Bushing - **RSM-HF-507**
20. Furler Line 3mm - **KKD03BLE**
21. RS Washer M10 - **FIX-W10-001**
22. RS Bowsprit End Cap - **RSM-SP-915**

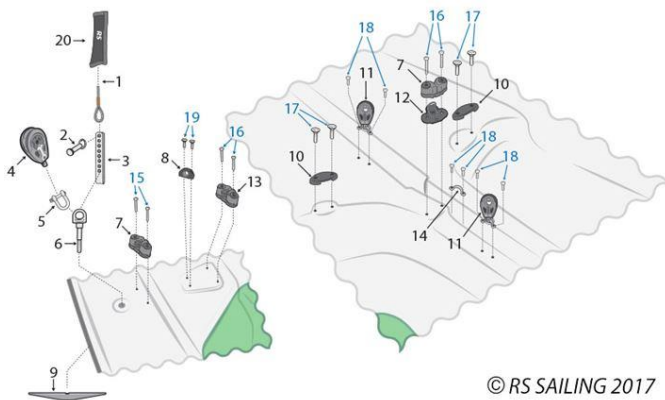
Hull Parts - Foredeck & Beam



1. RS Pan Head Machine Screw M6 x 16mm - **FIX-B6-P16**
2. RS Quest Tiller End Plug - **QUE-FO-901**
3. [RS Quest Mast Step - QUE-HF-200](#)
4. RS Quest Mast Step Beam - **QUE-HF-105**
5. RS Monel Rivet 6.4 x 18mm - **FIX-R64-M18**
6. RS Pan Head Machine Screw 8 x 1 ½ mm - **FIX-S8-P01**
7. RS Quest Foredeck Pins - **QUE-HF-102**
8. RS Inspection Port 100mm, Selden - **RSM-HF-904**
9. [RS Quest Foredeck Insert - QUE-HF-100](#)
10. RS Quest Foredeck Center Hatch, Old Spec - **A637**
11. RS Quest Foredeck Center Hatch, Current Spec - **QUE-HF-114**
12. RS Quest Hatch Sealing Ring - **A.638**
13. [RS Quest Cam Cleat 27mm, Selden - 433-101-01](#)
14. RS Flat Head Machine Screw M5 x 12mm - **FIX-B5-C12**
15. RS Pan Head Machine Screw 8 x ¾ mm - **FIX-S8-P02**
16. RS Hardware Button Head Machine Screw M6 x 50mm - **FIX-B6-B50**
17. Washer M6 Penny - **FIX-W6-002**

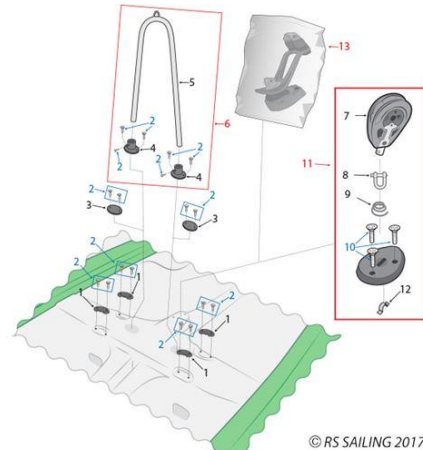
Click on the colored text to be linked directly to the product page!

Hull Parts - Crew Area



1. [RS Quest Shroud Set - QUE-SP-906](#)
2. STF Marine 5x15mm Clevis Pin - **ST-O0515**
3. [RS Shroud Adjuster, U Shape - A4372](#)
4. RS 45mm AutoRatchet Block, Selden - **P404401**
5. [Forged D Shackle 4mm, Allen - A-621104](#)
6. RS Quest Shroud Eye Bolt - **QUE-HF-304**
7. [RS Quest Cam Cleat 27mm, Selden 433-101-01](#)
8. [RS Stainless Steel Lined Bullseye, Medium - 508-604](#)
9. RS Shroud Bolt Backup Bar M8 - **C16-HF-900**
10. RS Hiking Strap Plate - **RSM-HF-301**
11. 30mm Single Ball Bearing Stand Up Block, Selden - **403-101-12R**
12. [RS Quest Cam Cleat Guide 27mm, Selden - 433-113-01](#)
13. RS Carbon Cam Cleat 38mm, Selden - **433-201-01**
14. [RS Eyestay 27mm - 403-122](#)
15. RS Button Head Machine Screw M4 x 25mm - **FIX-B4-B25**
16. RS Button Head Machine Screw M5 x 35mm - **FIX-B5-B35**
17. RS Flat Head Machine Screw M5 x 12mm - **FIX-B5-C12**
18. RS Pan Head Machine Screw M5 x 8mm - **FIX-B5-P08**
19. RS Button Head Machine Screw M5 x 20mm - **FIX-B5-B20**
20. [RS Quest Shroud Adjuster Covers \(Pair\) - RSM-UA-117](#)

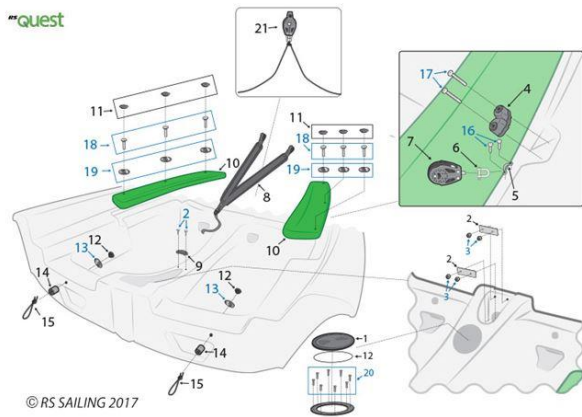
Hull Parts - Thwart Area



1. RS Hiking Strap Plate - **RSM-HF-301**
2. RS Flat Head Machine Screw M5 x 12mm - **FIX-B5-C12**
3. RS Quest Mainsheet Hoop Cap - **QUE-HF-402**
4. RS Quest Mainsheet Hoop Recess/Mounting Plate - **QUE-HF-112**
5. Mainsheet Hoop - **No longer offered**
6. Mainsheet Hoop Kit – **No longer offered**
7. RS 60mm Ratchet Block, Selden - **P406301**
8. Forged D Shackle 5mm, Allen - **A-621105**
9. RS Large Spring, RWO - **R1813**
10. RS Flat Head Machine Screw M5 x 20mm - **FIX-B5-C20**
11. [RS Quest Mainsheet Block with Base - QUE-HF-401](#)
12. [RS Eyestay 38mm - 508-019](#)
13. [RS Mainsheet Swivel Cleat - QUE-UA-102](#)

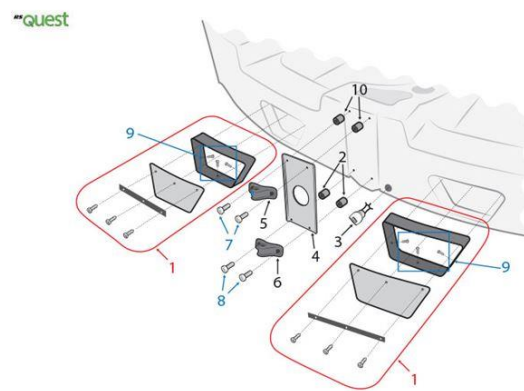
Click on the colored text to be linked directly to the product page!

Hull Parts - Helm Area



1. RS Inspection Port 100mm, Selden - **RSM-HF-904**
2. RS Pan Head Machine Screw 10 x 1 ½ mm - **FIX-S10-P15**
3. RS M6 Nyloc Nut - **FIX-N6-006**
4. RS Mainsheet Cleat 38mm, Selden - **P43330101**
5. [RS Eyestraps 27mm - 403-122](#)
6. [Forged D Shackle 4mm, Allen - A-621104](#)
7. RS Quest 45mm AutoRatchet Block, Selden - **P404401**
8. [RS Quest Hiking/Toe Strap Set - QUE-HF-400](#)
9. RS Hiking/Toe Strap Plate - **RSM-HF-301**
10. RS Quest Bench Seats (pair) - **QUE-HF-300**
11. RS Quest Seat Blanking Plug - **QUE-HF-113**
12. RS Quest Transom Bushing End Cap - **R0686**
13. RS Washer M10 - **FIX-W10-001**
14. RS Quest Bow Line Bushing - **RSM-HF-507**
15. Gottfredi Maffioli Evolution Race 5mm - **KKD05BLK**
16. RS Pan Head Machine Screw M5 x 8mm - **FIX-B5-P08**
17. RS Button Head Machine Screw M5 x 35mm - **FIX-B5-B35**
18. Hex Head Machine Screw M5 x 80mm - **FIX-B5-H80**
19. RS Washer M5 - **FIX-W5-002**
20. RS Pan Head Machine Screw 8 x ¾ mm - **FIX-S8-P02**
21. Single Ball Bearing Block with Becket & Swivel 40mm, Selden - **404-101-03**

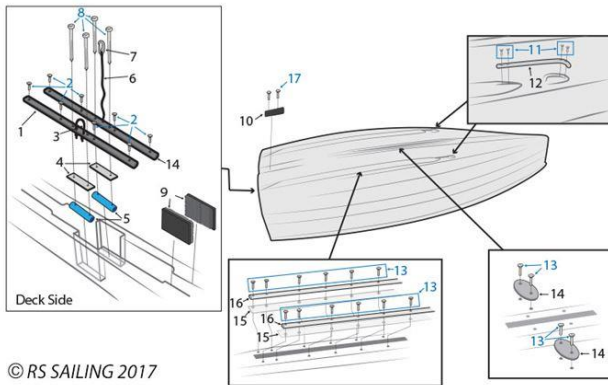
Hull Parts – Transom



1. RS Quest Drain Assembly - **QUE-HF-501**
2. RS Transom Spacer Tube 38mm - **480-385**
3. Drain Plug, Allen - **A423**
- 3b. RS Drain Plug - **RSM-HF-501**
4. RS Quest Scupper Flap - **QUE-HF-503**
5. [RS Gudgeon with Lock - C16-HF-502](#)
6. [RS Gudgeon Non-Locking - RSM-HF-506](#)
7. RS Pan Head Machine Screw M6 x 60mm - **FIX-B6-P60**
8. RS Pan Head Machine Screw M6 x 65mm - **FIX-B6-P65**
9. RS Pan Head Machine Screw 10 x ¾ mm - **FIX-S10-P34**
10. RS Quest Transom Spacer Tube 32mm - **QUE-HF-504**

Click on the colored text to be linked directly to the product page!

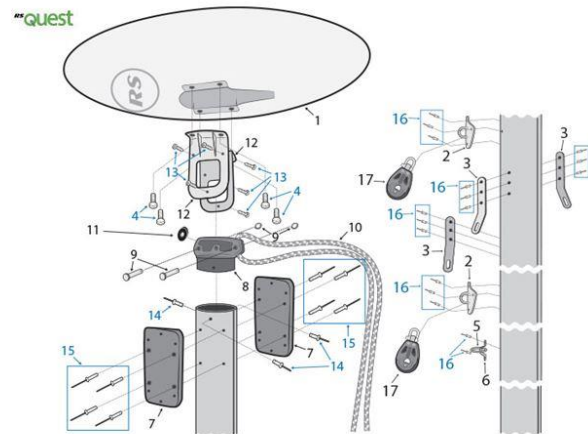
Underside Hull & Centerboard Case



© RS SAILING 2017

1. [RS Quest Centerboard Case Deck Plate - QUE-HF-302](#)
2. RS Flat Head Machine Screw 8 x ¾ mm - [FIX-S8-C03](#)
3. RS Quest Centerboard Case Rope Strop - [QUE-WEB-015](#)
4. RS Hiking/Toe Strap Plate Stainless Steel - [A4099](#)
5. RS Quest Centerboard Friction Tube - [RSM-FO-902](#)
6. RS Quest Centerboard Case Elastic - [QUE-WEB-014](#)
7. [Nylon Shockcord Hook, Allen - A359](#)
8. RS Pan Head Machine Screw 10 x 2mm - [FIX-S10-P02](#)
9. RS Quest Centerboard Case Astro Turf (each) - [QUE-HF-301](#)
10. [RS Quest Keel Rub Strake/Casting - QUE-HF-306](#)
11. RS Flat Head Machine Screw M5 x 20mm - [FIX-B5-C20](#)
12. [RS Quest Hull Rail Handle - QUE-HF-307](#)
- 13 & 17. RS Flat Head Machine Screw 8 x ¾ mm - [FIX-S8-C03](#)
14. [RS Quest Centerboard Case Deck Plate - QUE-HF-302](#)
15. [RS Quest Centerboard Gasket - L2K-HF-303](#)
16. [RS Quest Centerboard Gasket Retainer - QUE-HF-305](#)

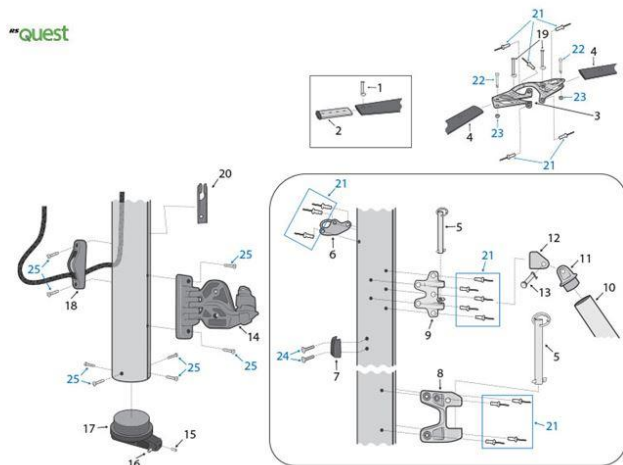
Top Mast Section



1. [RS Quest Solid Mast Float - RSM-BP-909](#)
2. RS Forestay Mast Hounds/Eye Triangle - [P50847701](#)
3. RS Quest Tang, T-Ball - [518-089-01](#)
4. RS Pan Head Machine Screw M6 X 12mm - [FIX-B6-P12](#)
5. RS Mast Ring Stainless Steel - [S0710](#)
6. RS Forestay Eyestay - [508-089-01](#)
7. [RS Quest Masthead Float Shims \(Pair\) - RSM-SP-908](#)
8. RS Non-tapered Masthead Sheave Box, Selden - [P50109904](#)
9. RS Clevis Pins and Split Ring Pack 5x25mm - [ST-O0525](#)
10. RS Quest Main Halyard
11. RS Plain Sheave 21mm, Front - [P504360](#)
12. RS Masthead Float Brackets (Pair) - [RSM-SP-911](#)
13. RS Pan Head Machine Screw 8 x ¾ mm - [FIX-S8-P02](#)
14. RS Monel Rivet 4.8 x 12mm - [FIX-R48-M12](#)
- 15 & 16. RS Monel Rivet 4.8 x 18 mm - [FIX-R48-M18](#)
17. RS 30mm Block with Swivel, Selden - [P403101SWI](#)

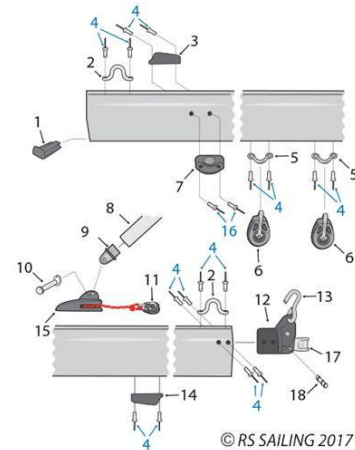
Click on the colored text to be linked directly to the product page!

Lower Mast



1. STF Marine 5x10mm Clevis Pins and Split Rings Pack - **ST-O0510**
2. RS Quest Spreader Tip, Adjustable (Each) - **P50080101**
3. RS Spreader Bracket, Cumulus - **P52214201**
4. RS Quest Spreaders (Pair) - **EA1206**
5. [RS GNAV Quick Pin - 166-665](#)
6. RS Quest Spin Pole Mast Fitting - **P53452501**
7. [Clam Cleat Racing Junior, MK2 - CL211MK2](#)
8. RS Gooseneck Boom Bracket - **P50827304**
9. RS GNAV Mast Bracket - **P50842601**
10. RS Quest GNAV Strut, Complete (Black) - **QUE-SP-920**
- 10b. RS Quest GNAV Strut, Complete (Silver) - **QUE-SP-921**
11. RS GNAV End Fitting - **507-954**
12. RS GNAV Mast End Toggle - **P528087**
13. STF Marine 5x15mm Clevis Pins and Split Rings Pack - **ST-O0515**
14. RS Vang Swivel Cleat - **P43350101**
15. RS Grub Screw - **RSM-SP-912**
16. [RS Quest Mast Step Pivot Pin - QUE-SP-905](#)
17. [RS Quest Mast Step Plug - QUE-SP-904](#)
18. RS Quest Mast Gooseneck Roller - **P505-061-02**
19. Clevis Pin 4.76 x 14 mm, Selden - **165-608**
20. RS Sail Feeder - **P50552801**
21. RS Monel Rivet 4.8 x 18mm - **FIX-R48-M18**
22. RS Pan Head Machine Screw M5 x 20mm - **FIX-B5-P20**
23. RS M5 Nyloc Nut - **FIX-N5-005**
24. RS Flat Head Machine Screw 8 x ¾ mm - **FIX-S8-C03**
25. RS Pan Head Machine Screw 8 x 1 ½ mm - **FIX-S8-P01**

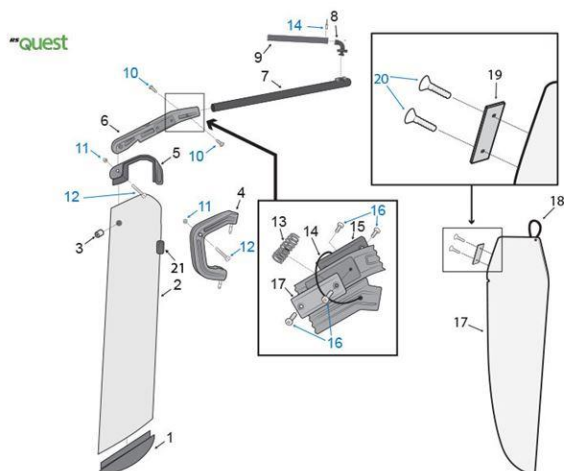
Boom Parts



1. [RS Quest Boom End Deck Protector - 511-804](#)
2. [RS Eyestay 38mm - 508-019](#)
- 3 & 14. [Clamcleat Racing Junior, MK2 - CL211MK2](#)
4. RS Monel Rivet 4.8 x 12mm - **FIX-R48-M12**
5. RS Sliding Boom Eyestay - **P51171402**
6. RS 40mm Single Block, Selden - **404-101-02R**
7. [RS Stainless Steel Lined Bullseye, Medium - 508-604](#)
8. RS Quest GNAV Strut, Complete (Silver) - **QUE-SP-921**
- 8b. RS Quest GNAV Strut, Complete (Black) - **QUE-SP-920**
9. RS GNAV End Fitting - **507-954**
10. 5 x 15mm Clevis Pin & Ring Pack (2) - **ST-O0515**
11. [20mm Micro Block, Allen - A2020](#)
12. GNAV Inboard Boom End Casting Only, Selden - **RSM-SP-918**
13. [RS Quest Reefing Hook - QUE-SP-902](#)
15. RS GNAV Boom Slider with Sheaves - **P51180501**
16. RS Monel Rivet 4.8 x 18mm - **FIX-R48-M18**
17. RS GNAV Gooseneck Toggle - **P528091**
18. RS Gooseneck Toggle Shaft - **166-249**

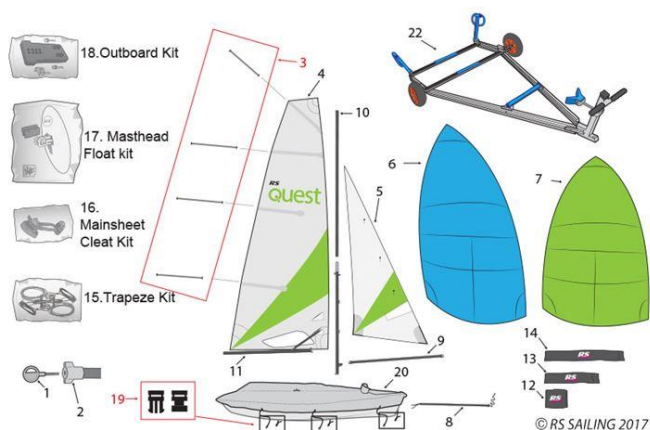
Click on the colored text to be linked directly to the product page!

Rudder Stock & Blades



1. [RS Rudder Blade Bottom Plug - RSM-FO-909](#)
2. [RS Quest Rudder Blade - QUE-FO-102](#)
3. [RS Quest Rudder Blade Bushing - QUE-FO-903](#)
4. [RS Quest Rudder Stock Casting - QUE-FO-100](#)
5. [RS Rudder Blade Top Cap - RSM-FO-912](#)
6. [RS Tiller Base Casting - C16-FO-903](#)
7. [RS Quest Tiller Tube, Bare - QUE-FO-103](#)
- 7b. [RS Quest Tiller Tube, Fitted - QUE-FO-104](#)
- 7c. [RS Quest Tiller Tube, USA Spec - QUE-UA-100](#)
8. [RS Universal Joint, Selden - CA0015](#)
9. [RS Tiller Extension 1.1m, Selden - RSM-FO-913](#)
10. [RS Flat Head Machine Screw 10 x ¾ mm - FIX-S10-C34](#)
11. [RS M8 Nyloc Nut - FIX-N8-008](#)
12. [RS Pan Head Machine Screw M8 x 40mm - FIX-B8-P41](#)
13. [RS Rudder Head Spring - RSM-FO-916](#)
14. [Kingfisher Shockcord 5mm - KS305BLK](#)
15. [RS Rudder Head Spring Cover - RSM-FO-917](#)
16. [RS Flat Head Machine Screw M5 x 12mm - FIX-B5-C12](#)
17. [RS Quest Centerboard - RSM-FO-202](#)
18. [Kingfisher Evolution Sheet 7mm - KEV07](#)
19. [RS Quest Centerboard Retaining Plate - 480-200](#)
20. [RS Flat Head Machine Screw 10 x 1 ½ mm - FIX-S10-C15](#)
21. [RS Lower Rudder Blade Guide - RSM-FO-908](#)

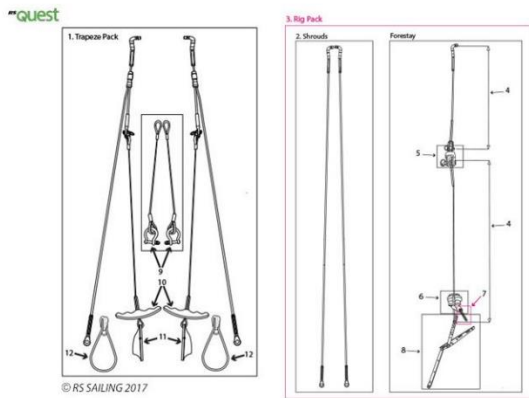
Sails, Spars, & Accessories



1. [RS Batten Adjuster Key, North - RSM-SA-908](#)
2. [RS Quest Batten Adjuster, China Sails - RSM-SA-907](#)
- 2b. [RS Batten Adjuster, North - RSM-SA-905](#)
3. [RS Quest Mainsail Batten Set - QUE-SA-900](#)
4. [RS Quest Mainsail - QUE-SA-100](#)
5. [RS Quest Jib Sail - QUE-SA-200](#)
6. [RS Quest Asymmetrical Spinnaker - QUE-SA-300](#)
7. [RS Quest Symmetrical Spinnaker - QUE-SA-310](#)
8. [RS Quest Asymmetrical Spinnaker Pole/Bow Sprit - QUE-SP-500](#)
9. [RS Quest Symmetrical Spinnaker Pole/Bow Sprit - QUE-SP-501](#)
10. [RS Quest Mast Complete - QUE-SP-100](#)
11. [RS Quest Boom Complete - QUE-SP-400](#)
12. [RS Spinnaker Bag, Hyde - RSM-SA-906](#)
13. [RS Sail Bag 2.05m, Hyde - LDCSB2](#)
14. [RS Sail Bag 2.75m, Hyde - LDCSB31](#)
15. [RS Quest Trapeze Kit - QUE-UA-101](#)
16. [RS Quest Mainsheet Swivel Cleat - QUE-UA-102](#)
17. [RS Quest Mast Float - RSM-BP-909](#)
18. [RS Quest Outboard Motor Mount - QUE-UA-103](#)
20. [RS Quest Deck Cover, Mast Up - QUE-CO-100](#)
21. [RS Quest Jib Sock - QUE-CO-200](#)

Click on the colored text to be linked directly to the product page!

Rigging Parts



1. RS Quest Trapeze Kit - **QUE-UA-101**
2. [RS Quest Shroud Set - QUE-SP-906](#)
3. RS Quest Rigging Pack - **QUE-PP-800**
4. [RS Quest Forestay Assembly, Complete - QUE-SP-910](#)
5. RS Furler Top Drum with Guide - **EX1790**
6. RS Quest Forestay Swivel - **QUE-SP-911**
- 6a. RS Quest Jib Furler Swivel Insert, Upgrade - **QUE-UA-108**
- 7 & 9. RS 5mm Bow Shackle, Allen - **A-622105**
8. [RS Quest Shroud Lever, RWO - R4550](#)
10. RS Quest Trapeze Handle, RWO - **R4120**
11. Clamcleat Racing Junior with Roller, MK1 - **CL230**
12. Ronstan Trapeze Ring - **RF17**

Click on the colored text to be linked directly to the product page!