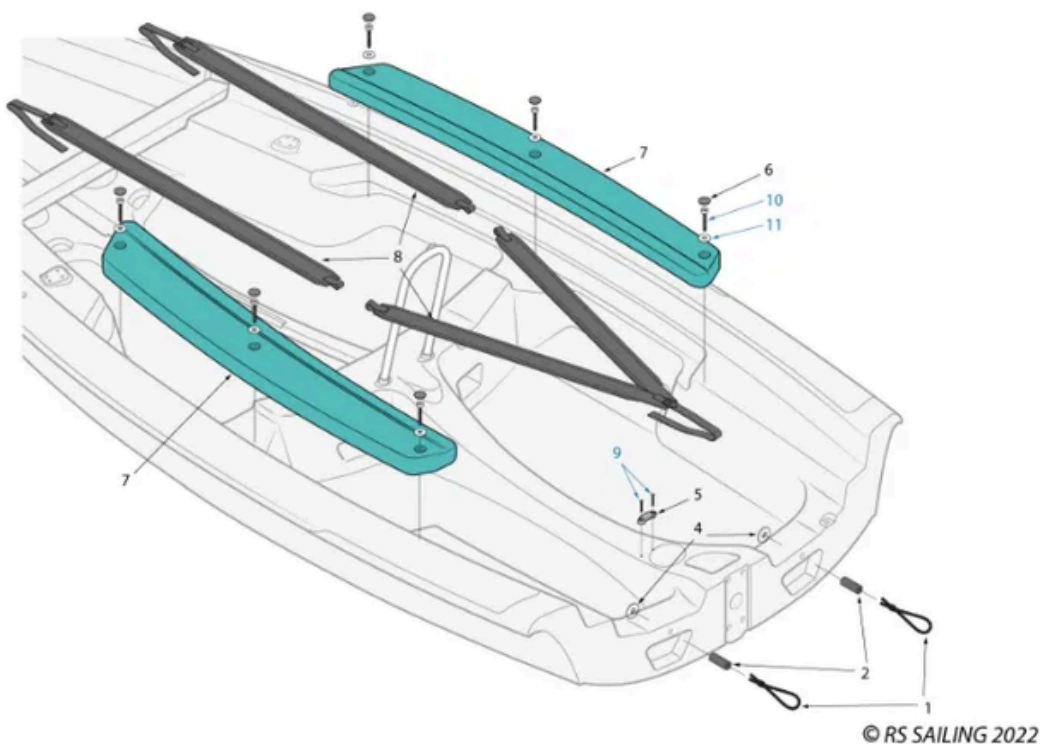


RS Toura Parts Guide

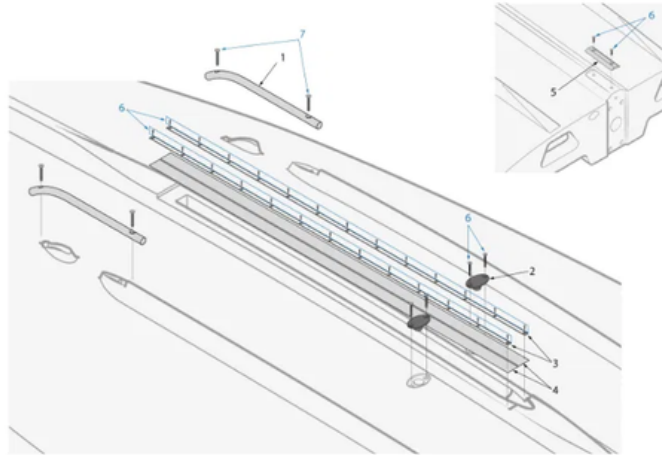
1. Shockcord, 5mm - **62581**
2. RS Thru-deck Rope Bushing - **25188**
3. Washer M10 Penny - **24996**
4. Hiking Strap Attachment Plate - **25144**
5. Tiller Tube End Plug - **25245**
6. RS Toura Seats (Pair) - **TOU-HF-300** (special order)
7. RS Toura Hiking Strap Set - **26487**
8. Pozzi Pan Screw 10 x 1 1/2 - **24969**
9. Hex Head Machine Screw M5 x 80 - **FIX-B5-H80**
10. Washer M5 penny - **24997**

Hull Overview

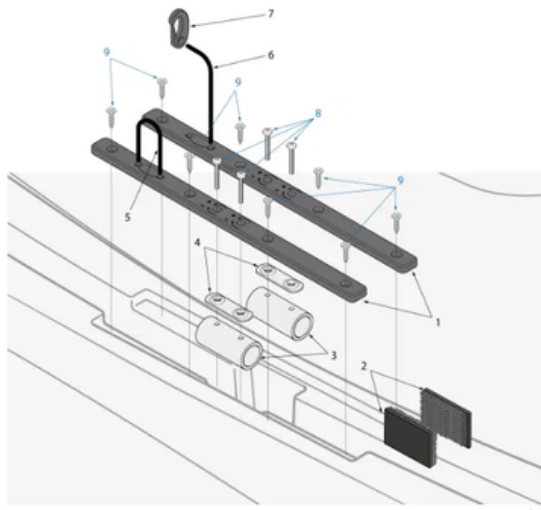


Hull - Underside

1. Bilge Rail Handles - **25217**
2. Hoop Plate Recess - **25196**
3. Centerboard Rubbing Plate - **25211**
4. Slot Gasket - **25210**
5. Keel Rub Casting - **25220**
6. & 8. CSK Pozzi Screw 8 x 3/4in - **24960**
7. CSK Pozzi Machine Screw M5 x 20 - **24953**



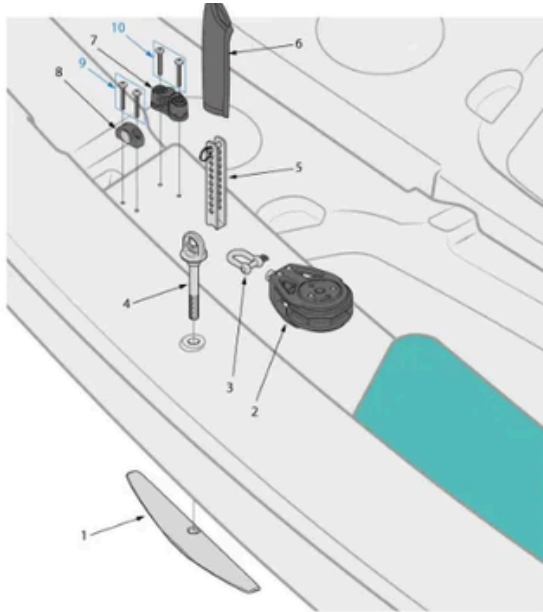
1. Centerboard Deck Plate - **25208**
2. Centerboard Case Astro Turf (Pair Required) - **QUE-HF-301**
3. Centerboard Friction Tube - **25202**
4. Hiking Strap Plate S/S - **20890**
5. Centerboard Case Rope Strop, 1ft - **62735**
6. Centerboard Case Elastic 5mm - **62581**
7. Nylon Shockcord Hook - **60110**
8. Pozzi Pan Screw 10 x 2in - **24971**
9. CSK Pozzi Screw 8 x 3/4in - **24960**



Center- board Case

Side: Deck/ Crew Area

1. Under Gunwhale Recess Bar (Size M8) - **25121**
2. Automatic Ratchet Block 45mm - **25192**
3. Forged D Shackle 5mm - **A-621105**
4. Shroud Eye Bolt - **25233**
5. Shroud Stay Adjuster U Shape - **20826**
6. Shroud Covers (Pair) - **25232**
7. Bullseye Medium S/S Lined - **25104**
8. Button Head Machine Screw M5 x 20 - **24946**
9. Button Head Machine Screw M5 x 35 - **24947**



1.Hiking Strap Attachment Plate - **25144**

2.Rope Dead End - **24853**

3.Hoop Blanking Cap - **25200**

4.Hoop Plate Recess - **25196**

6.Mainsheet Ratchet Block w/
Base - **25199**

7.Ratchet Block 60mm - **25113**

8.Forged D Shackle 5mm - **A-621105**

9.Large Spring - **25149**

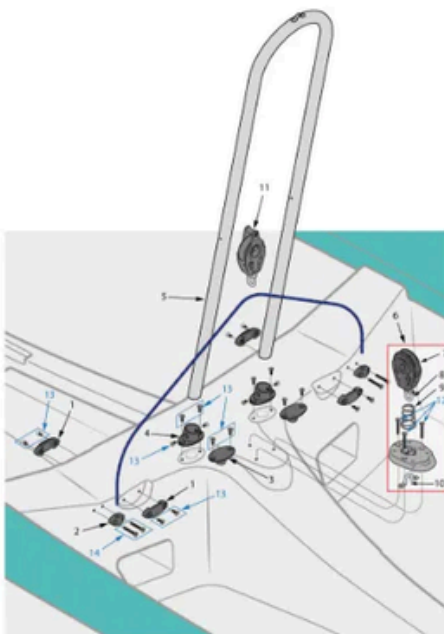
10.Lacing Eye 38mm - **25132**

11.40mm:Single with Becket &
Swivel - **404-101-03**

12.CSK Pozzi Machine Screw M5 x
20 - **24953**

13.CSK Machine Screw M5 x 12 -
24951

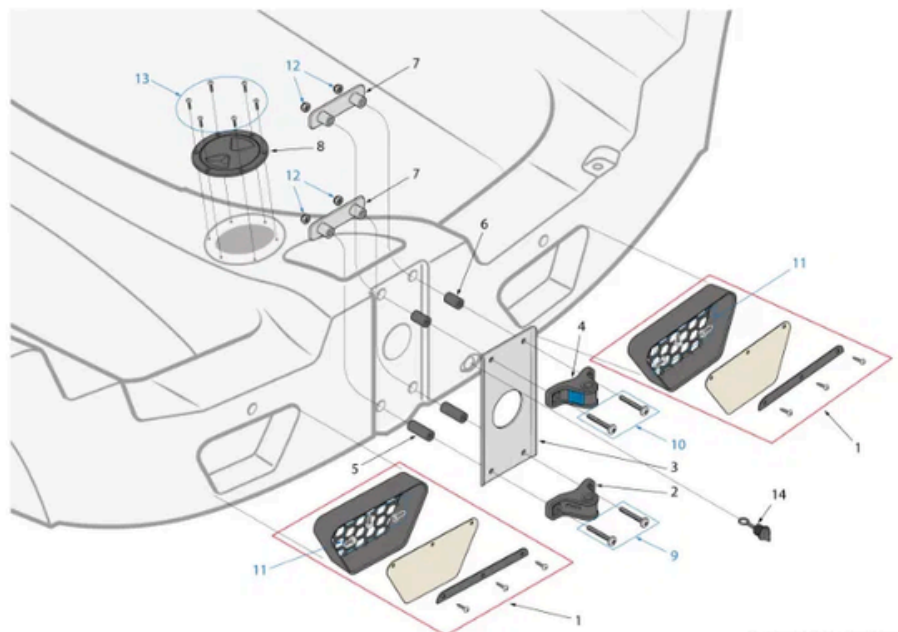
14.Button Head Machine Screw M5
x 20 - **24946**



Thwart & Hoop Area

Stern & Transom

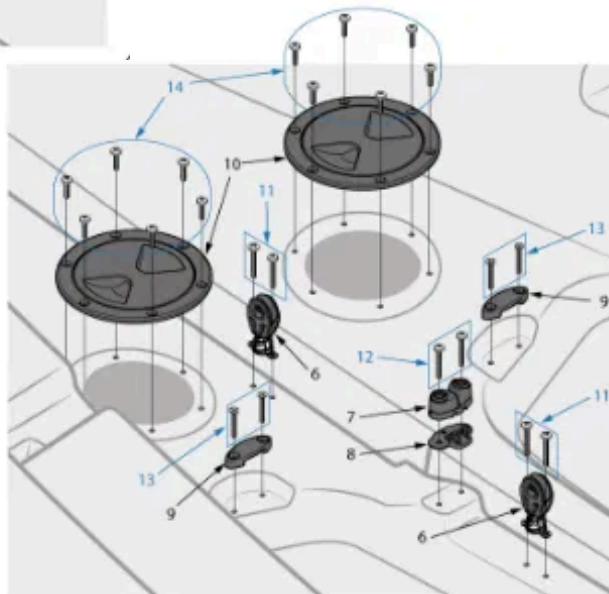
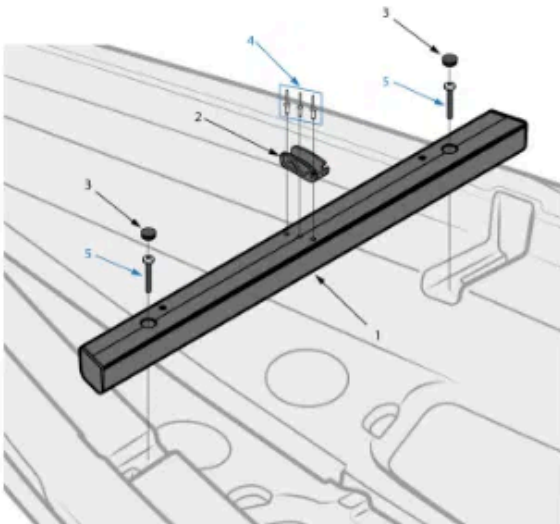
1. Transom Drain Assembly - **25212**
2. Non-Locking Gudgeon - **24873**
3. Scupper Flap - **25231**
4. Locking Gudgeon - **25141**
5. Spacer Tube L=38 - **25102**
6. Spacer Tube L=32 - **25201**
7. Gudgeon Backing Plate MK2 Hull - **25142**
8. Hatch 100mm Black - **25146**
9. Pozzi Pan Machine Screw M6 x 65mm - **24986**
10. Pozzi Pan Machine Screw M6 x 60mm - **24985**
11. Pozzi Pan Screw 10 x 3/4in - **24972**
12. Dome Nut M6 - **25725**
13. Pozzi Pan Screw 8 x 3/4in - **24977**
14. Drain Plug Assembly - **60039**



© RS SAILING 2022

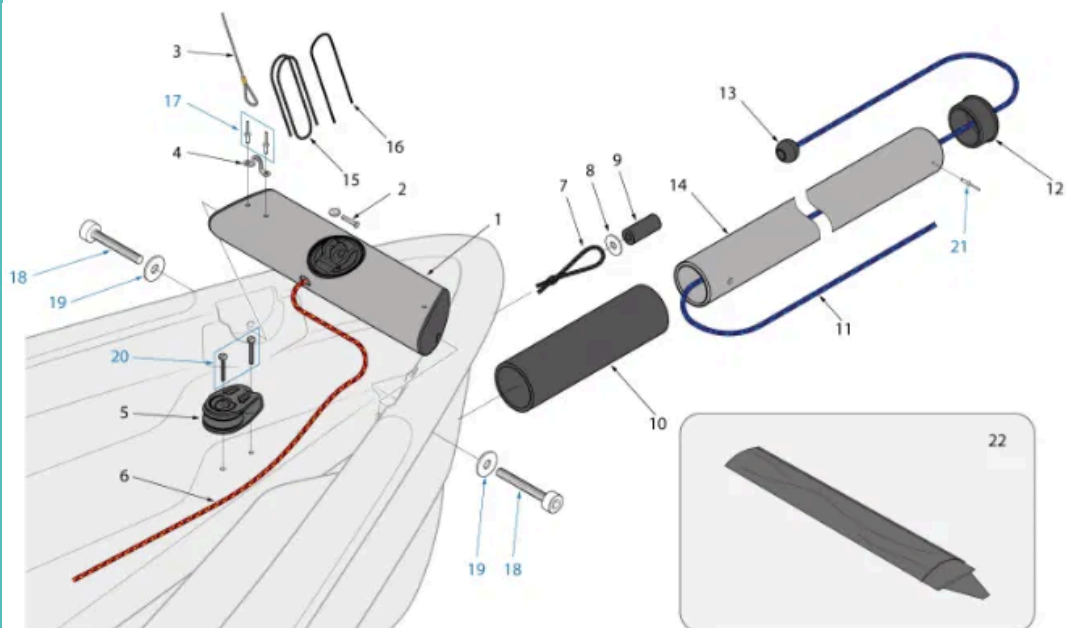
Front Beam

1. RS Toura Beam Assembly - **TOU-HF-105**
2. Mast Step - **25223**
- 2b. Mast Step Replacement Kit - **26501**
3. Tiller Tube End Plug - **25245**
4. Rivet Monel 6.4 x 18 - **24993**
5. Pozzi Pan Machine Screw M6 x 16 - **24981**
6. Ball Bearing Block 30mm Single Stand Up - **403-101-12R**
7. Cam Cleat 27mm - **25189**
8. Line Guide 27mm - **25190**
9. Hiking Strap Attachment Plate - **25144**
10. Hatch 100mm Black - **25146**
11. Pozzi Pan Machine Screw M5 x 8mm - **24979**
12. Button Head Machine Screw M5 x 35mm - **24947**
13. CSK Machine Screw M5 x 12mm - **24951**
14. Pozzi Pan Screw 8 x 3/4in - **24977**



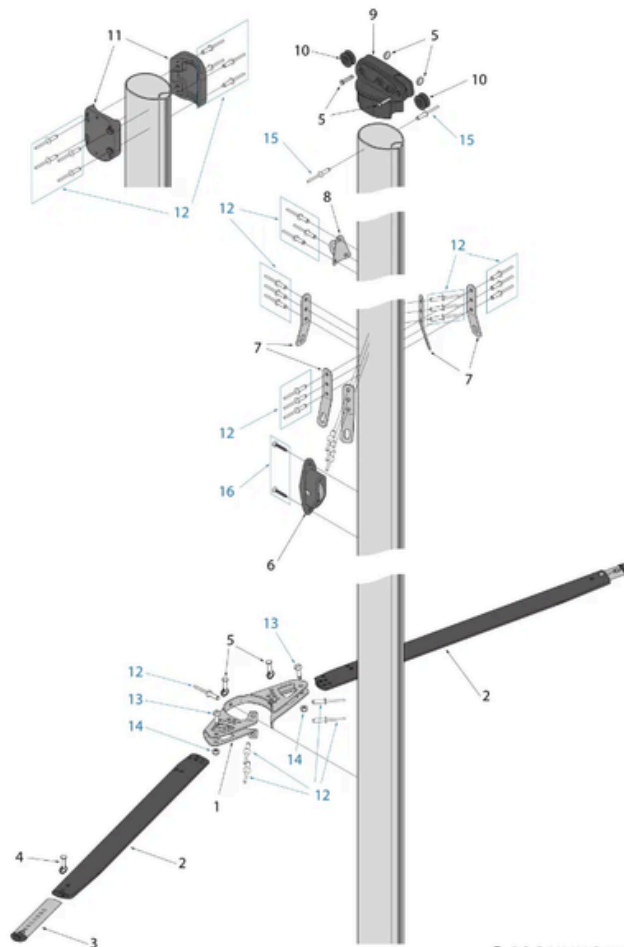
Bow Area

1. RS Toura Tack Bar Complete - **TOU-HF-107**
2. 5x10mm Clevis Pin and Split Ring - **ST-O0510**
3. Forestay Purchase System - **TOU-SP-903**
4. Lacing Eye 38mm - **25132**
5. Ball Bearing Cheek Block 30mm - **25186**
6. 3mm Race Line - **62733**
7. Marlow Pre-Stretch 5mm - **60258**
8. Washer M6 Penny - **FIX-W6-002**
9. RS Thru-deck Rope Bushing - **25188**
10. ASY Spinnaker Bearing Tube - **25236**
11. 5mm Race Line - **62739**
12. Bowsprit Outboard End Cap - **25740**
13. 6mm Stopper Ball, Black - **25174**
14. Spinnaker Pole, 50mm - **26491**
15. 3mm Race Line - **62733**
16. 4mm Shockcord - **66946**
17. Rivet Monel 4.8 x 12.9mm - **24991**
18. Socket Cap Machine Screw M10 x 60 - **24994**
19. Washer M10 Penny - **24996**
20. Button Head Machine Screw M4 x 25mm - **24943**
21. Rivet Monel 4.8 x 12.9 - **24991**
22. Spinnaker Sock - **TOU-HF-101**



Upper Mast

1. Spreader Bracket: Cumulus - **25171**
2. Spreaders 435mm Pair: Black - **25241**
3. Spreader Length Adjuster (Tip) - **25240**
 - a. Spreader End Cap w/ Fixing - **500-802-01**
4. 5x10mm Clevis Pins and Split Rings - **ST-O0510**
5. Clevis Pin 4.76 x 14 mm - **165-608**
6. Jib Halyard Plain Sheave - **25147**
7. External T-Terminal Tang - **25243**
8. Forestay Eye Triangle- **25134**
9. Un-tapered Masthead Sheave Box - **24561**
10. Plain Sheave 21/4.2/9mm (Front Sheaves) - **25181**
11. Masthead Float Shims (Pair) - **25226**
12. Rivet Monel 4.8 x 18mm - **24992**
13. Pozzi Pan Machine Screw M5 x 20mm - **24978**
14. Nyloc M5 - **24965**
15. Rivet Monel 4.8 x 18mm - **24992**
16. Pozzi Pan Screw 8 x 1 1/2in - **24976**

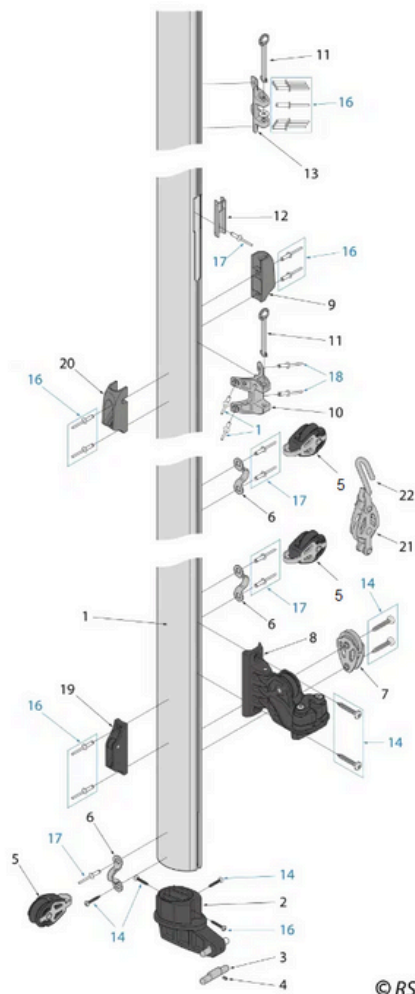


Lower Mast

Rigging:

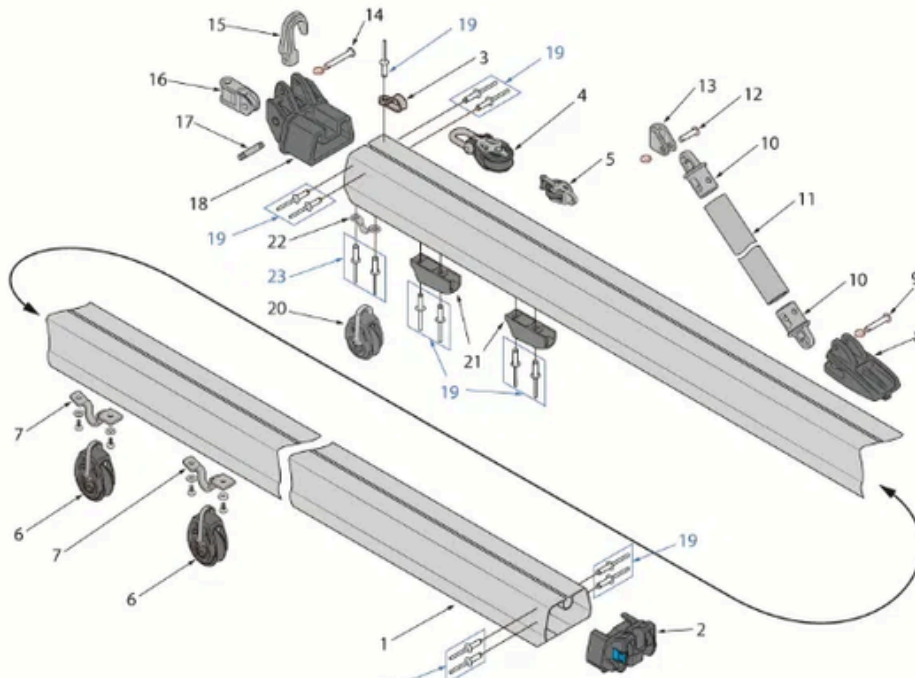
- Shrouds (Pair) - **TOU-SP-904**
- Jib Halyard - **26492**
- Forestay Purchase System - **26493**

1. RS Toura Mast Complete - **26485**
2. Mast Foot incl. Upgraded Pin Fitment - **25225**
3. Mast Foot Pivot Pin - **25224**
4. Grub Screw - **25140**
5. Single Ball Bearing Block 20mm - **25109**
6. Eyestraps, small - **25103**
7. High Load Ball Bearing Block 25mm - **25258**
8. Vang Swivel Cleat - **23595**
9. Clamcleat Racing Junior MK2 - **20578**
10. Gooseneck Stainless Boom Bracket - **25138**
11. GNAV Drop Nose Pin - **21027**
12. Alloy Mast Sail Feeder - **25169**
13. GNAV Mast Bracket - **25137**
14. Pozzi Pan Screw 8 x 1 1/2in - **24976**
- 16.-18. Rivet Monel 4.8 x 18mm - **24992**
19. Clamcleat Roller Fairlead Mk1 Racing Junior - **21002**
20. Racing Micro with Becket - **CL270**
21. High Load Ball Bearing Block 25mm w/ Becket - **402-201-07**



Boom

1. RS Toura Boom Complete - **26486**
2. Boom Outboard End Assembly w/ Sheaves - **25124**
3. Eyestraps Loop - **508-388**
4. 20mm Single Dynamic Block - **A2020SC**
5. Ball Bearing Single Block 20mm - **25756**
6. Ball Bearing Single Block 40mm - **25101**
7. Boom Sliding Eye For Mainsheet - **25184**
8. GNAV Boom Slider w/ Sheaves - **25135**
9. 5x15mm Clevis Pins and Split Rings - **ST-O0515**
10. GNAV End Fitting - **25136**
11. GNAV Strut Assembly, Silver - **26503**
 - a. GNAV Strut Assembly, Black - **26502**
12. 5x15mm Clevis Pins and Split Rings - **ST-O0515**
13. GNAV Mast End Toggle - **25185**
14. Clevis Pin 5 x 34mm - **25745**
15. Anti-Capsizes Mainsail Reefing Hook - **25228**
16. Gooseneck Toggle GNAV Style - **25278**
17. Boom Inboard End Toggle Shaft - **25100**
18. Fixed Toggle GNAV Boom Inboard End - **25105**
19. Rivet Monel 4.8 x 18mm - **24992**
20. Single Ball Bearing Block 20mm - **25109**
21. Clamcleat Racing Junior MK2 - **20578**
22. Eyestraps, Small - **25103**
23. Rivet Monel 4.8 x 12.9 - **24991**



Sails & Accessories

1. Toura Mainsail - **26488**
2. Toura Jib sail - **26489**
3. Asym Spinnaker - **26490**
4. Spinnaker Pole - **26491**
5. Mainsail Batten Set - **26494**

