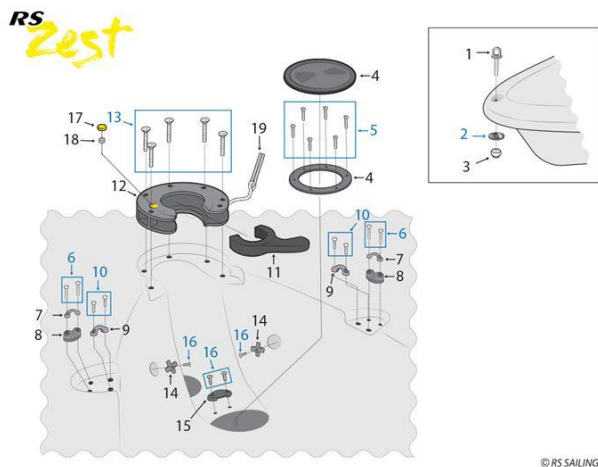


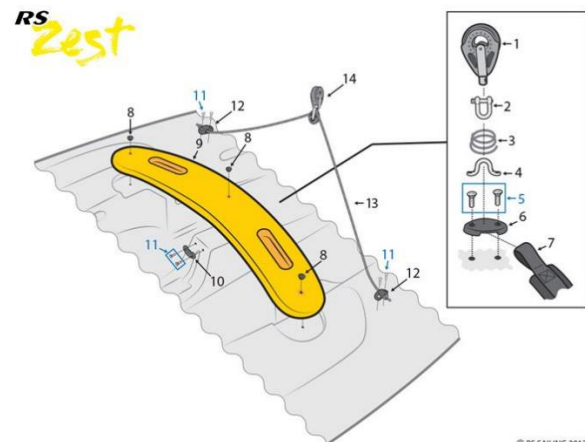
Hull Parts - Bow and Mast Area



1. RS Zest Bow Eye Bolt - **ZES-HF-101**
2. RS Washer, M8 - **FIX-W8-002**
3. [RS Nyloc Nut, M8 - FIX-N8-008](#)
4. RS Inspection Port 100mm, Selden - **RSM-HF-904**
- 5 & 16. RS Flat Head Machine Screw 8 x ¾ mm - **FIX-S8-C03**
6. RS Flat Head Machine Screw, M4 x 25mm - **FIX-B4-C25**
7. RS Cam Cleat Fairlead 27mm, Selden - **433-108-01**
8. [RS Cam Cleat 27mm, Selden - 433-101-01](#)
10. RS Flat Head Machine Screw M5 x 12mm - **FIX-B5-C12**
11. RS Zest Mast Gate Arm - **ZES-HF-900**
12. RS Zest Mast Deck Plate Assembly - **ZES-HF-200**
13. RS Flat Head Machine Screw M6 x 50mm - **FIX-B6-C50**
14. RS Hiking Strap Attachment Cross - **TER-HF-401**
15. RS Hiking Strap Plate - **RSM-HF-301**
17. [RS Zest Mast Gate Release Button - ZES-HF-901](#)
18. [RS Zest Mast Gate Release Spring - ZES-HF-902](#)
19. RS Mast Gate Pin - **QUB-UA-900**

© RS SAILING 2017

Hull Parts - Thwart Area

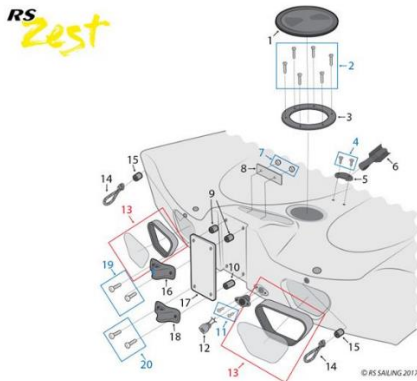


1. RS 40mm Single Block with Shackle Swivel, Selden - **P40410101**
2. [Allen Forged D Shackle 4mm - A-621104](#)
3. RS Standup Spring, Selden - **433-411**
4. [RS Eyestraps 38mm, Allen - 508-019](#)
5. RS Pan Head Machine Screw M5 x 20mm - **FIX-B5-P20**
- 6 & 10. RS Hiking Strap Plate - **RSM-HF-301**
7. [RS Zest Hiking Strap/Toe Strap Set - ZES-HF-400](#)
8. RS Zest Thwart Plug - **ZES-HF-301**
9. RS Zest Thwart - **ZES-HF-300**
11. RS Flat Head Machine Screw M5 x 20mm - **FIX-B5-C20**
12. RS Rope Dead End 6mm, Selden - **480-351**
13. RS Zest Mainsheet Bridle - **ZES-WEB-006**
14. RS 40mm Traveler Block, Selden - **404-101-21**

© RS SAILING 2017

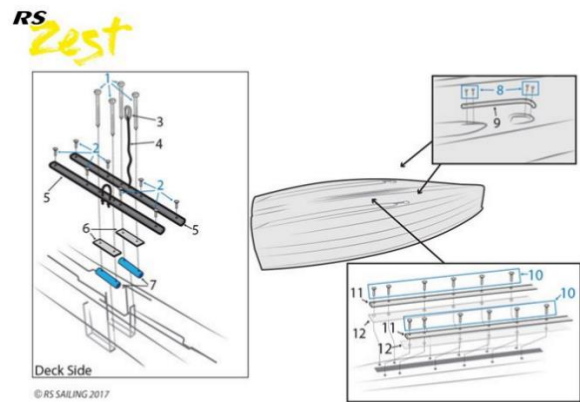
Click on the colored text to go directly to the product page!

Hull Parts - Transom Area



1. RS Inspection Port 100mm, Selden - **RSM-HF-904**
2. RS Flat Head Machine Screw 8 x ¾ mm - **FIX-S8-C03**
3. RS Inspection Port 100mm, Selden - **RSM-HF-904**
4. RS Flat Head Machine Screw M5 x 20mm - **FIX-B5-C20**
5. RS Hiking Strap Plate - **RSM-HF-301**
6. [RS Zest Hiking/Toe Strap Set - ZES-HF-400](#)
7. RS M6 Nyloc Nut - **FIX-N6-006**
8. RS Gudgeon Backing Plate, MK2 - **C16-HF-504**
- 9 & 10. RS Transom Spacer Tube 32mm - **QUE-HF-504**
11. RS Flat Head Machine Screw 8 x ¾ mm - **FIX-S8-C03**
12. Drain Plug, Allen - **A423**
13. RS Zest Scupper Assembly - **ZES-HF-500**
15. RS Zest Transom Spacer Tube 16.5mm - **480-566**
16. [RS Gudgeon with Lock - C16-HF-502](#)
17. RS Zest Transom Plate - **ZES-HF-501**
18. [RS Gudgeon, Non-Locking - RSM-HF-506](#)
19. RS Pan Head Machine Screw M6 x 55mm - **FIX-B6-P55**
20. RS Pan Head Machine Screw M6 x 60mm - **FIX-B6-P60**

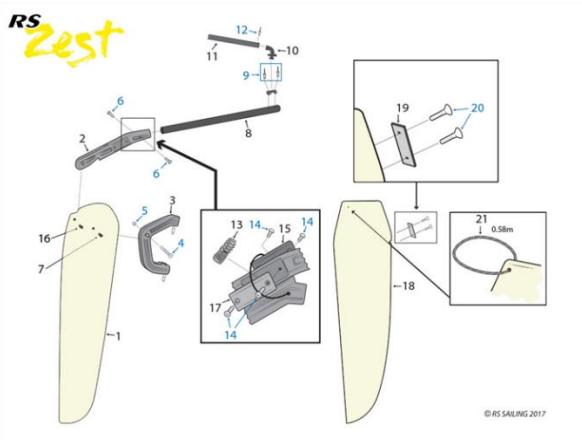
Hull Parts – Underside



- 1 & 2. RS Pan Head Machine Screw 10 x 2 mm - **FIX-S10-P02**
3. [Allen Nylon Shockcord Hook - A359](#)
4. Kingfisher Shockcord 4mm, Black - **KS304BLK**
5. [RS Quest Centerboard Case Deck Plate - QUE-HF-302](#)
6. RS Hiking/Toe Strap Plate Stainless Steel, Allen - **A4099**
7. RS Centerboard Friction Tube - **RSM-FO-902**
8. RS Flat Head Machine Screw M5 x 20mm - **FIX-B5-C20**
9. [RS Zest/Quest Hull Rail Handle - QUE-HF-307](#)
10. RS Flat Head Machine Screw 8 x ¾ mm - **FIX-S8-C03**
11. [RS Zest/Quest Centerboard Gasket Retainer - QUE-HF-305](#)
12. [RS Zest/Quest Centerboard Gasket - L2K-HF-303](#)

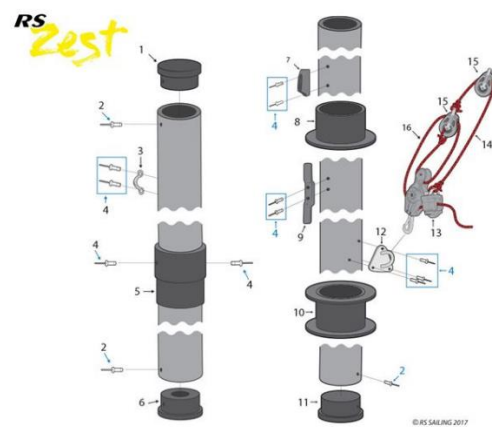
Click on the colored text to go directly to the product page!

Rudder Stock and Blades



1. RS Zest Rudder Blade - **ZES-FO-100**
2. [RS Zest Tiller Base Casting - ZES-FO-901](#)
3. [RS Zest Rudder head, C-Shape - ZES-FO-902](#)
4. [RS Pan Head Machine Screw M8 x 40mm - FIX-B8-P41](#)
5. [RS M8 Nyloc Nut - FIX-N8-008](#)
6. RS Flat Head Machine Screw 10 x ¾ mm - **FIX-S10-C34**
7. [RS Zest Rudder Pivot Bushing - 480-533](#)
8. [RS Zest Tiller, Tube Only - ZES-FO-400](#)
9. RS Flat Head Machine Screw 8 x ¾ mm- **FIX-S8-C03**
10. [RS Universal Joint, Selden - CA0015](#)
11. [RS Zest Tiller Extension 900mm - ZES-FO-500](#)
12. RS Button Head Machine Screw M4 x 35mm - **FIX-B4-B35**
13. RS Rudder Head Spring - **RSM-FO-916**
14. RS Flat Head Machine Screw M5 x 12mm - **FIX-B5-C12**
15. RS Rudder Head Spring Cover - **RSM-FO-917**
16. RS Zest Tiller Pivot Bushing - **480-560**
17. RS Rudder Head Spring Cover - **RSM-FO-917**
18. [RS Zest Centerboard - ZES-FO-200](#)
19. RS Toe Strap Plate Stainless Steel, Allen - **A4099**
20. RS Flat Head Machine Screw 10 x 1 ½ mm - **FIX-S10-C15**
21. Kingfisher Braid on Braid 8mm, Black - **KBB08BLK**

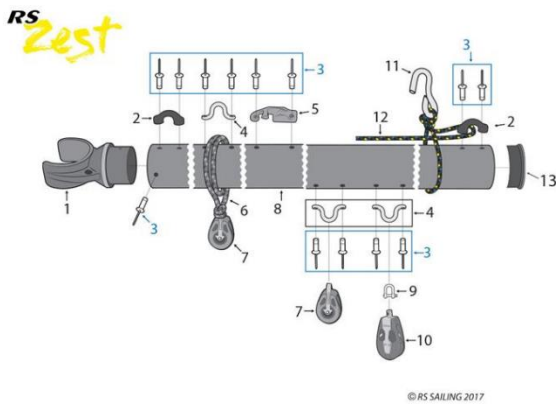
Mast Parts



1. RS Zest Top Section End Plug - **ZES-SP-903**
2. RS Monel Rivet 4.8 x 12 mm - **FIX-R48-M12**
3. RS Vang Strop Eyestay - **S2517**
4. RS Monel Rivet 4.8 x 18mm - **FIX-R48-M18**
5. RS Zest/Quba Top Section Connector Sleeve - **QUB-SP-903**
6. RS Zest/Quba Top Section End Plug - **QUB-SP-904**
7. [Clam Cleat Racing Junior MK2, Aluminum - CL211MK2](#)
8. [RS Zest Gooseneck Collar - ZES-SP-900](#)
9. RS Horn Cleat - **P51103001**
10. [RS Zest Lower Mast Collar - ZES-SP-901](#)
11. RS Zest Mast Lower Heel Plug - **ZES-SP-902**
12. RS Forestay Mast Hounds/Eye Triangle, Selden - **P50847701**
13. Selden 40mm Fiddle/Hook Block with Cam Eye - **P40410119**
14. RS Zest Kicker/Vang Primary - **ZES-WEB-009**
15. RS 40mm Single Block, Selden - **404-101-02R**
16. RS Zest Kicker/Vang Control Line - **ZES-WEB-010**

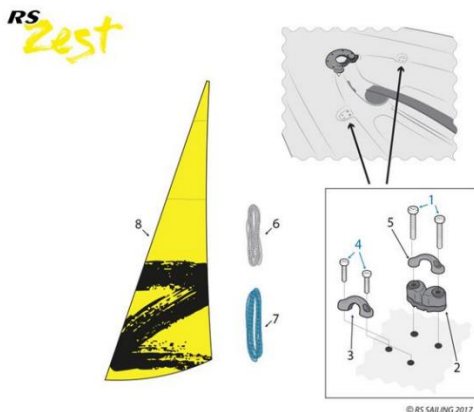
Click on the colored text to go directly to the product page!

Boom Parts



1. RS Zest Boom Jaw - **ZES-SP-904**
2. [RS Stainless Steel Lined Bullseye, Small - AER-HF-100](#)
3. RS Monel Rivet 4.8 x 12mm - **FIX-R48-M12**
4. [RS Eyestay 38mm - 508-019](#)
5. [Clamcleat Side Entry Cleat MK1, Starboard - CL217MK1](#)
6. RS Zest Kicker/Vang Boom Block Tie - **ZES-WEB-008**
7. RS Single Block 40mm, Selden - **404-101-02R**
8. RS Zest Boom - **ZES-SP-400**
9. [Allen Forged D Shackle 4mm - A-621104](#)
10. RS AutoRatchet Block 45mm, Selden - **P404401**
11. [Allen Stainless Steel Twisted Welded Hook - A4069](#)
- 11b. RS Zest Clew Strap - **ZES-WEB-014**
12. RS Zest Outhaul - **ZES-WEB-012**
13. [RS Boom End Plug - FEV-SP-903](#)

Jib Pack



1. RS Flat Head Machine Screw M4 x 25mm - **FIX-B4-C25**
2. [RS Cam Cleat 27mm, Selden - 433-101-01](#)
3. [RS Stainless Steel Lined Bullseye, Medium - AER-HF-100](#)
4. RS Pan Head Machine Screw M5 x 20mm - **FIX-B5-P20**
5. RS Cam Cleat Fairlead 27mm, Selden - **433-108-01**
6. RS Zest Jib Halyard - **ZES-WEB-001**

[Click on the colored text to go directly to the product page!](#)

7. RS Zest Jib Sheet - **ZES-WEB-002**
8. [RS Zest Jib Sail - ZES-SA-200](#)

Sail & Covers



1. [RS Zest Mainsail Batten Set - ZES-SA-900](#)
2. [RS Zest Mainsail - ZES-SA-100](#)
3. RS Digital 8 Sail Numbers, 230mm - **RSM-SA-901**
4. [RS Zest Top Mast Section - ZES-SP-200](#)
5. [RS Zest Lower Mast Section - ZES-SP-300](#)
6. RS Zest Boom - **ZES-SP-400**
7. [RS Rowing Kit - RSM-UA-100](#)
8. RS Flat Head Machine Screw 10 x 1mm - **FIX-S10-C01**
9. RS Sail Bag 2.75m, Hyde - **LDCSB31**
10. [RS Zest Deck Cover - ZES-CO-100](#)